

**HEATING WITH
WOOD PELLETS**

**EFFECTA
KOMPLETT**



the pure way of heating

Effecta Energy Solutions

Effecta Energy Solutions AB is proud to be your Complete Source in the renewable energy market. We have been developing, manufacturing and supplying specialist biomass and solar energy products for the heating market for almost 30 years.

During this time we have gained the knowledge and experience necessary to produce reliable, innovative, high-end 'Renewable, Low and Zero Carbon Technologies' and their associated controls and control systems.

Most of our products have been and continue to be developed 'in-house', and all final assembly is carried out at our own factory in Sweden to ensure absolute control of output quality.

” We strive to make our products easy to use, highly efficient and, above all, environmentally sustainable ”

We have a bright vision for the future of sustainable heat and energy sources and equipment in Europe and we hope, through our comprehensive range of products, to inspire you to join in and benefit from this natural technology.

You also have our assurance that, as an Effecta customer, you will have purchased a product of the highest standards, offering many years of reliable operation and comfort, supported by people passionate about their product and customer service integrity.

Effecta – Harnessing Nature's Energy !

Effecta Komplet 20, 30 kW

The Effecta Komplet is our flagship in the range of pellets products. It has a built-in coil for instantaneous domestic hot water, an automatic shunt control system with weather compensation, an electric back-up heater and a front mounted, user friendly controller with digital display.

Impressively, the boiler is also equipped with automatic cleaning of both the convective air channels and the burners combustion parts. Servicing and cleaning of the boiler is only required every 3 tons of fuel which is about 15.000 kWh, which in practice equates to only once or twice a year in a normal household!

The boiler is delivered fully assembled, complete with casing and all electrical wiring. This results in a efficient installation and commissioning, it helps to keep installation costs low and having a satisfied user.

The built in shunt control has many options for heating the house, you may use an indoor sensor and/or outdoor sensor with weather compensation. There is a built in week calender which gives the option to schedule different heating schemes.

EN-303-5 APPROVED



A KOMPLETT 20/30 kW

Wood pellet energy is currently the fastest growing energy source in Europe for both domestic and commercial property heating systems. It is a convenient and effective, environmentally sustainable alternative to expensive and polluting fossil fuels such as oil, gas and electricity (derived from coal and gas). When the right equipment is purchased, maintenance levels need be no greater than those for oil boilers, and the overall running costs will be much lower.

Effecta provides a full range of products in the wood pellet sector. These have all been carefully designed to be easy to use and maintain. Most, in fact, are self-cleaning, which results in a minimal maintenance requirement. They are all tested and conform to all comparable and applicable European Standards.

made in
SWEDEN



MCS
Approved
(20kW)

Control panel:

Gives the user a clear view of the boilers and the heating systems current status. Here is where all setups are done, regarding boiler, burner and heating system.

The shunt valve:

It is placed behind the space where you clean the boiler. It is motorized and controlled by an indoor and/or an outdoor sensor.

The convective part:

The convective part consists of 8 smoke gas tubes equipped with our well known tubulators and automatic cleaning. When manually cleaning the tubes (every 3 tons or 15.000 kWh) and other parts in the convective area, you don't need to remove any heavy parts. The Effecta Komplett is designed for a comfortable usage.

Circuit boards:

All functions needed to heat a normal house is built in the boiler. No extra controls is needed than the ones already included.

Domestic hot water:

Like the shunt valve, the connections for domestic water is placed in the rear part. The coil for DHW is prolonged to maximize the capacity.

The flue elbow:

The flue connection on the boiler is designed to give the installer the best possible opportunity to place the boiler in the desired position. It is possible to connect a chimney in almost all directions.

The ash door:

A big opening for the ash compartment gives you easy access for cleaning.

The outer casing:

The sheets of the outer casing are 1mm thick. This gives a robust and sturdy feel to the boiler. All casing is possible to remove if needed with a PH2 driver.

The ash compartment:

Our recommended interval for emptying the boiler of ash is every 3 tons or 15.000 kWh.

The combustion:

The combustion is made through a well proven burner. The burner is one of Swedens most well known. What we have done is adding the automatic cleaning of the burning area. This means fewer visits to the boiler room for the end user.

The AERO module:

Built in compressor for cleaning of the combustion tube. This gives the burner an prolonged period of operation before needing to clean it. A normal interval is about 3 tons of fuel or 15.000 kWh of energy production.

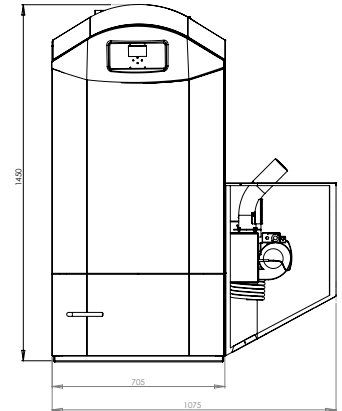
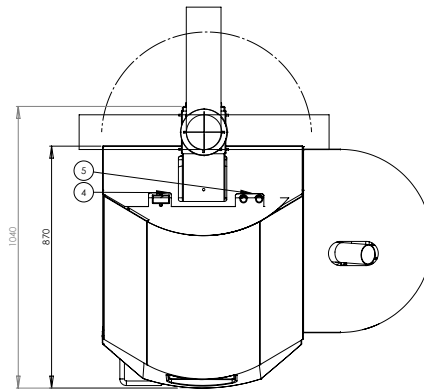
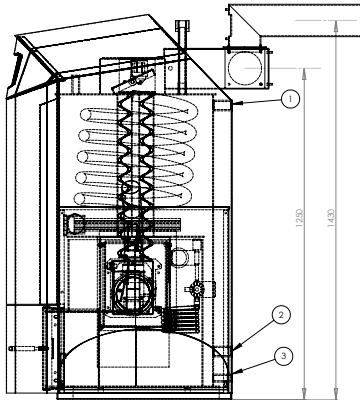
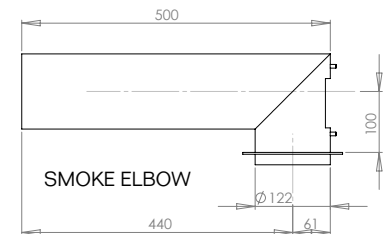


TECHNICAL SPECIFICATION

- LONG CLEANING INTERVAL
- BUILT IN HOT WATER PRODUCTION
- NO ACCUMULATOR TANK IS REQUIRED
- BUILT IN HEATING CONTROL + PUMP CONTROL (WEATHER COMPENSATED)
- AUTOMATIC SELF CLEANING OF BURNER WITH AERO TECHNOLOGY
- AUTOMATIC SELF CLEANING OF BOILER
- BUILT IN ELECTRICAL HEATER AS STANDARD



1. Expansion & Flow
2. Return
3. Drain Cock
4. Radiator Flow
5. Hot Water



EFFECTA KOMPLETT 20/30

Height	mm.	1450	Minimum area of flue	mm.	125
Depth incl. smoke outlet	mm.	990	Depth of grate	mm.	500
Width incl. burner	mm.	720 (1040)	Volume of ash compartment	l.	117
Weight (excl. burner)	kg.	295 (250)	Power	VAC	230/380
Maximum working pressure	bar	1,5	Recommended draft	hPa	15
Dimension of elbow Ø	mm.	140	Connection domestic water	mm.	22
Smoke outlet	mm.	150 x 150	Efficiency	%	90
Floor to center smoke pipe	mm.	1250	Heat output	kW	20/30
Boiler volume	l.	183	Connection radiators	mm.	22
Expansion connection	inch	1	Power electrical heater	kW	3+6
Max working temperature	°C	100			